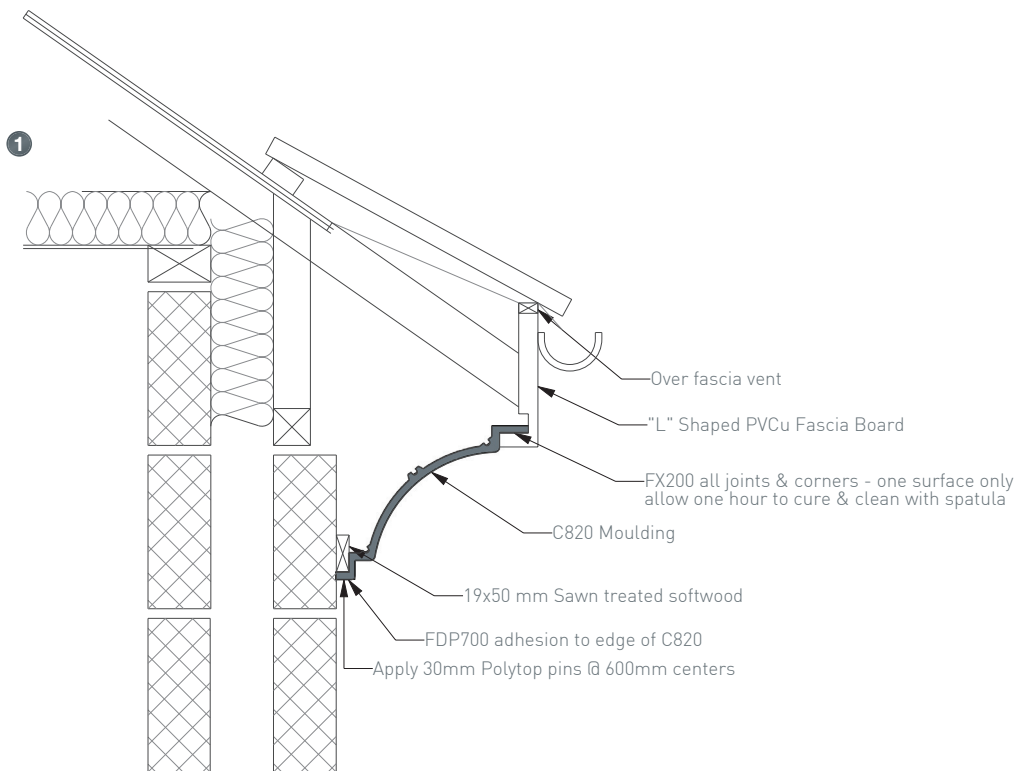
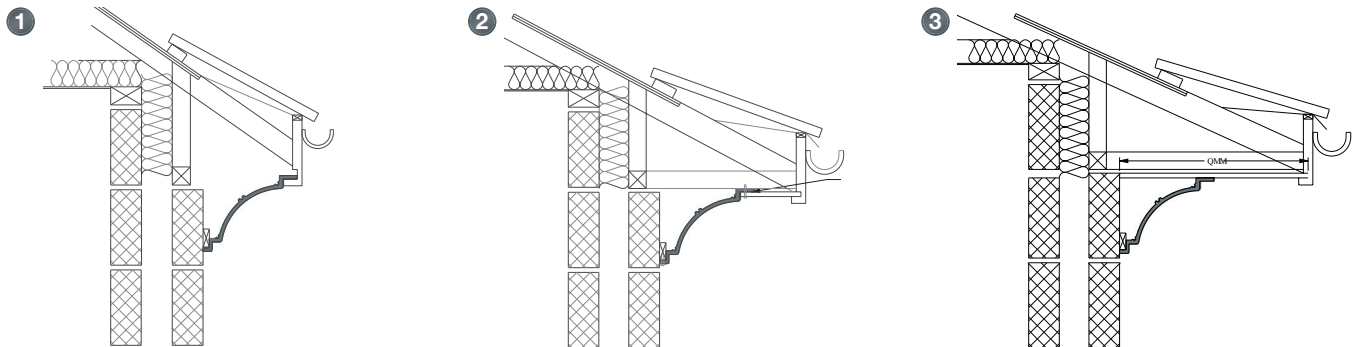




C820 FIXING DETAILS

3 DIFFERENT WAYS TO INSTALL THE C820 CORNICE MOULDING



XTERIO
COLLECTION



Compatible products to C820:

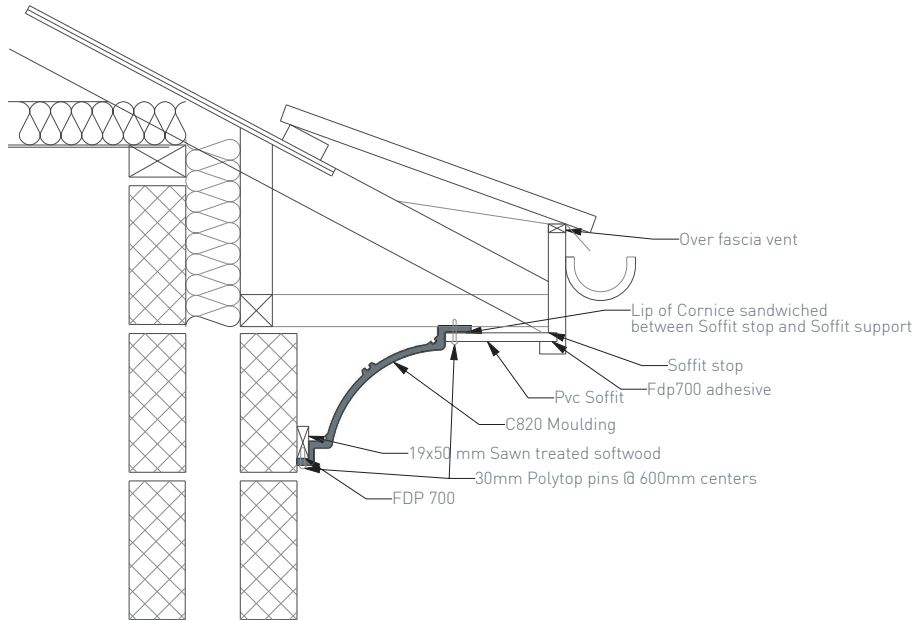
More information on
www.oracdecor.com



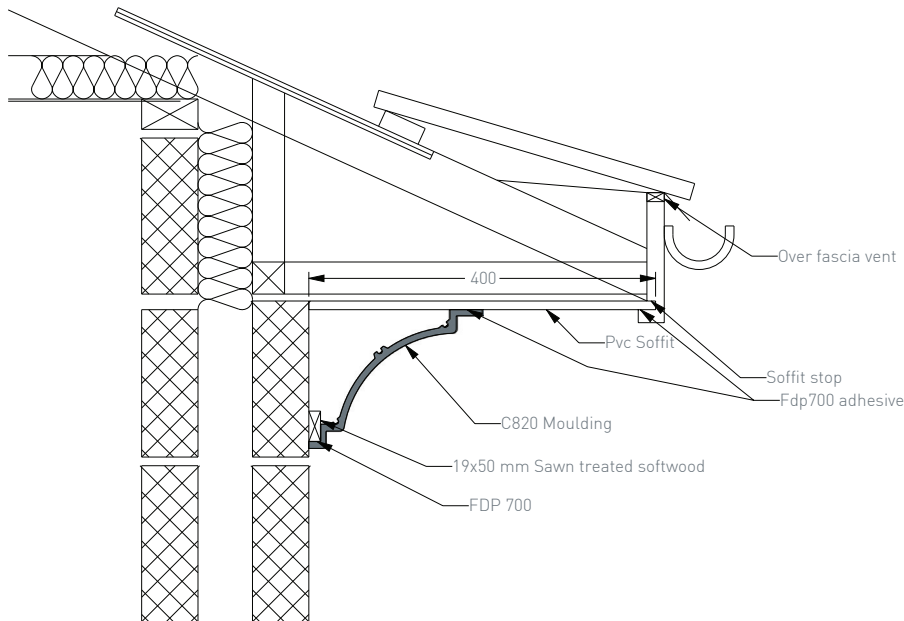


C820 FIXING DETAILS

2



3



XTERIO
COLLECTION

Installation

For an optimal result only use "L"-shaped PVCu Fascia board.

Apply **FX200 DecoFix Extra** to all butt joints and C820A/C820B corner elements.
Use **FDP700 DecoFix Hydro** for the overall application.

Allow one hour to cure and clean with small spatula.

